

PH 3/2 Pendant

The fixture is designed based on the principle of a reflective three-shade system, which directs the majority of the light downwards. The shades are made of mouth-blown opal three-layer glass, which is glossy on top and sandblasted matt on the underside, giving a soft and uniform light distribution.



**Restaurant
Kadeau**



American Heart Institute

Product info

Mounting

Suspension type: Cable 3x0,75mm². Canopy: Yes. Cable length: 3m.

Finish

Brass metallised, black metallised or high lustre chrome plated. White opal glass.

Materials

Shades: Mouth-blown white opal glass. Suspension: Brass metallised, black metallised or high lustre chrome plated, brass.

Sizes and weights

Width x Height x Length (mm) | 290 x 242 x 290 Max 1.4 kg

Class

Ingress protection IP20. Electric shock protection I w. ground.

Specification notes

The innovation of light sources is ongoing. Consequently we only inform about the max. wattages. On www.louispoulsen.com we update a list of recommendable light sources.

Light source

1x75W E27



Product family



PH 3/2 Table



PH 3/2 Academy



PH 3/2 Wall



Product variants

Colour	Cable type	Light source
● Black metallised	BLK TEX	1x75W E27
● Brass metallised	WHT TEX	
● High lustre chrome plated		

Product description

Suspended glass luminaire.
Iconic design.
Part of a wide family of multiple sizes.

Mounting

Can be mounted on 4" octagonal junction box (USA only)

Light description

Glare free, symmetric distribution.

Design

Poul Henningsen

Material

Shades: opal, mouth-blown glass, 2mm (0.08") thick, sandblasted interior for diffuse light distribution.
Stem of brass in high lustre or black chrome above glass.
Socket: Porcelain, medium base for A-19, frosted envelope lamps.
Socket position is adjustable to allow correct lamp position and fixture illumination.
Canopy: 5.3" diameter x 0.9" tall cone of spun aluminum.

Weight

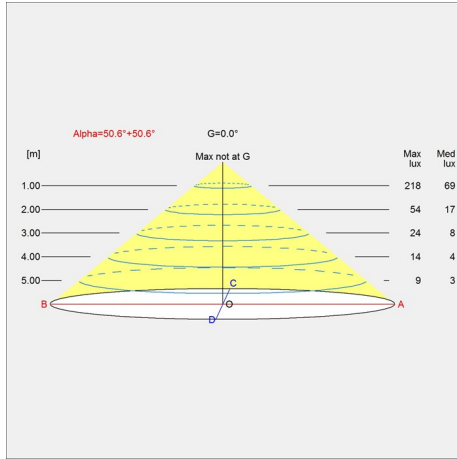
Min: 1.428 kg Max: 1.434 kg

Finish

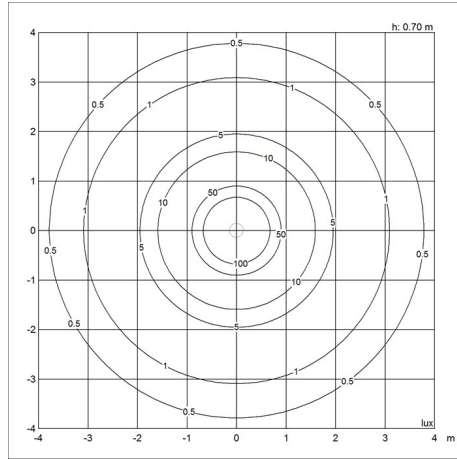
Black metallised, Brass metallised, High lustre chrome plated

Light distribution diagrams

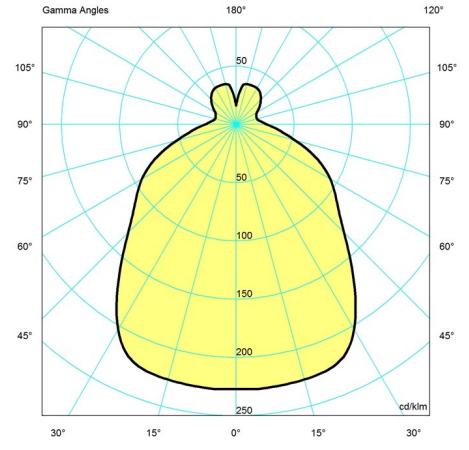
Cartesian



Isolux



Polar



Spare parts & accessories

Product	Variant number
Canopy White 2-part tophat ©	5749329034
Finger screw MCP M3X11 (3pcs) lower	5744611158
Canopy Black 2-part tophat ©	5749329021
PH 3-2, middle shade glass	5741481598
PH 3-2, lower shade glass	5741481608
PH 3-2, Pendant top shade glass	5741085091
PH 3-2, suspension chrome V2	5741097539
PH 3-2, suspension 75W E27 black PVD V2	5741097568
PH 3-2, susp 75W E27 brass PVD V2	5741100154
Finger screw brass M3X11 (3pcs) lower	5744611297